

# DIY AluRail Installation

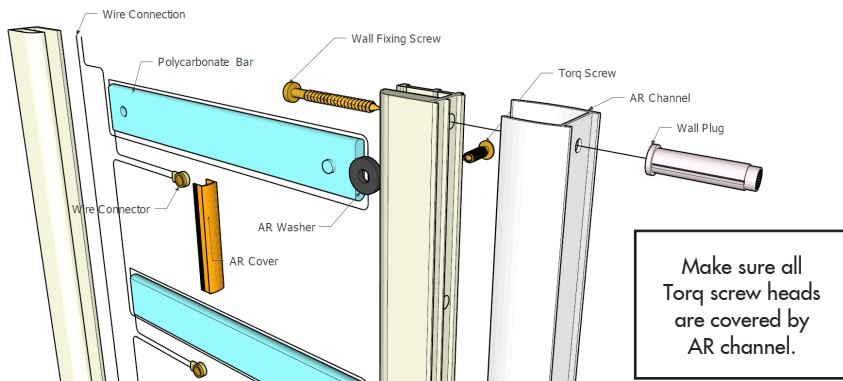


**VIEWPROTECT**  
World leader in transparent security barriers

## Things to check before installation

1. Check that packaging is not damaged.
2. Check if AluRail is received in good condition.
3. Check that all material listed on Pack List has been received.
4. Test continuity of the AB bars.

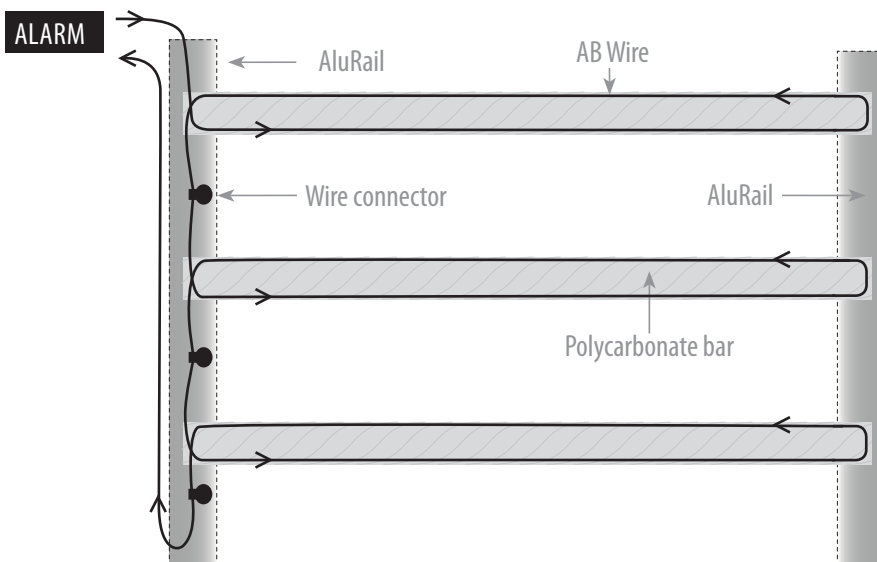
## AluRail Installation Diagram



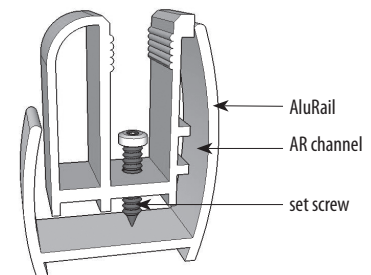
## What is important to remember when installing the AluRail

1. Determine if cavity walls are present.
2. Inform customer of possible damage due to hollow tiles.
3. Do not fit the AluRail too close to the window frame as it will be difficult to manoeuvre the drill.
4. Drill holes deep enough into the wall (take into account the screw length).
5. Use a vacuum cleaner during drilling into wall.
6. Make sure all torque screw heads are covered by AR channel.
7. Take note of positions and movement of all window handles.

## Armed Bar wiring diagram

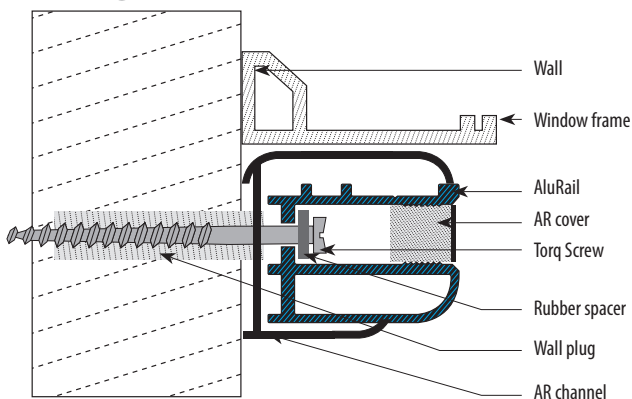


## Set screw

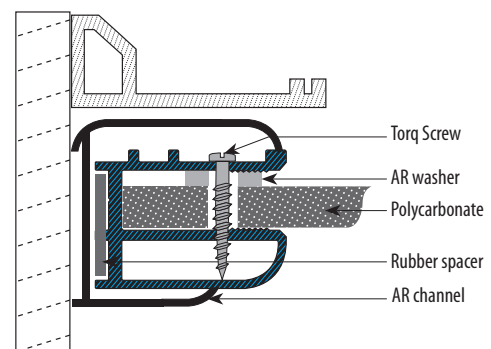


## AluRail fitment detail

### 1: Fixing of AluRail to reveal



### 2: Fixing of bar into AluRail



Watch installation videos on the ViewProtect website