

AluRail Installation



VIEW PROTECT

The world's leader in transparent security barriers

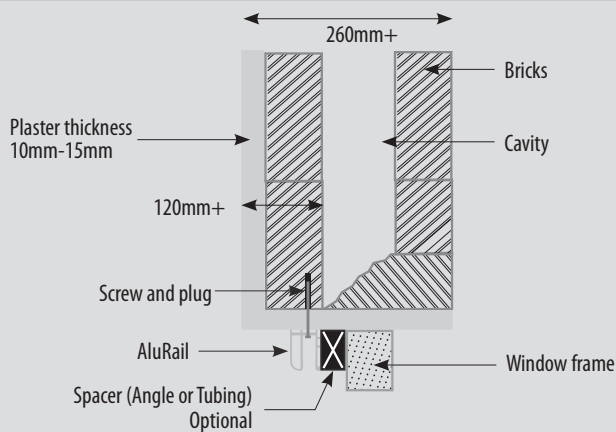
Things to check before installation

1. Check that packaging is not damaged.
 2. Check if AluRail is received in good condition.
 3. Check that all material listed on Pack List has been received.
 4. Test continuity of the AB bars.
- Take photos of damaged material and send to ViewProtect before installation.

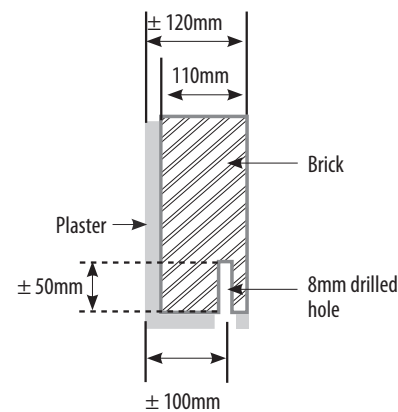
What is important to remember when installing the AluRail

1. Determine if cavity walls are present.
2. Inform customer of possible damage due to hollow tiles.
3. Do not fit the AluRail too close to the window frame as it will be difficult to manoeuvre the drill.
4. Drill holes deep enough into the wall (take into account the screw length).
5. Use a vacuum cleaner during drilling into wall.
6. Make sure all Torq screw heads are covered by AR channel.
7. Take note of positions and movement of all window handles.

Position your drilling so as to avoid the cavity



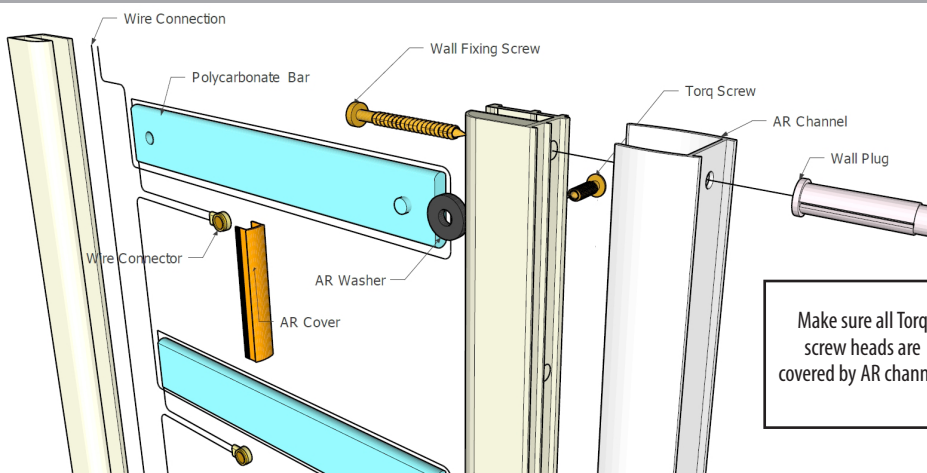
Recommended brick measurements



NOTE

Do not drill a hole closer than 30mm from a brick wall corner.

AluRail Installation Diagram



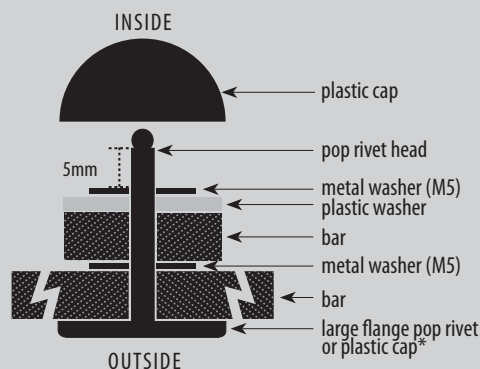
Installation of AluRail

1. Position AluRail within window to mark out the hole positions.
2. Drill 8mm holes in wall or 3.2mm in aluminium frame for the security screws.
3. Insert wall plugs into holes using Rockset.
4. Position the AluRail back into the window space.
5. Strip wall fixing screw head to prevent unscrewing.
6. Place AR covers between bars.

Method for securing the cross bars

NOTE

Plastic cap can also be installed outside if a large flange pop rivet not available.



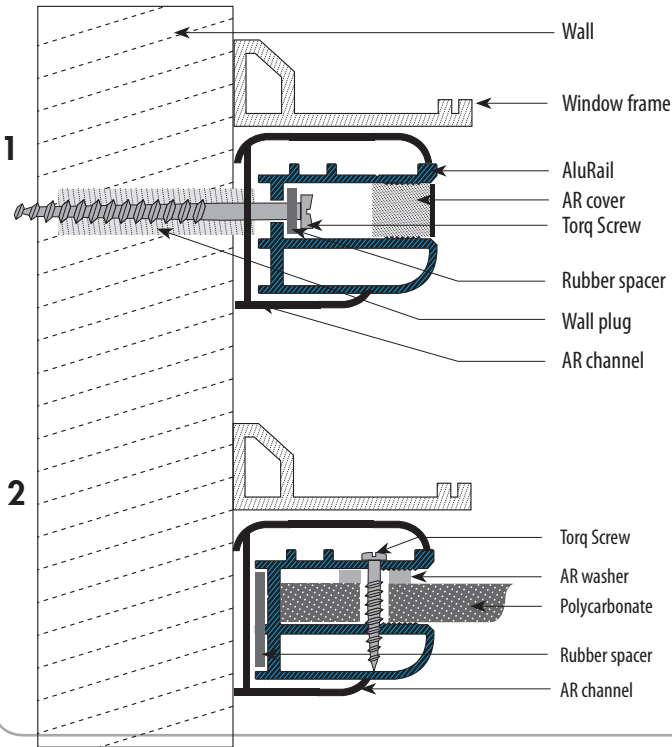
3 Options to form a cross section

- Polycarbonate bar
- Alluminium tube
- Fitment on window mullion

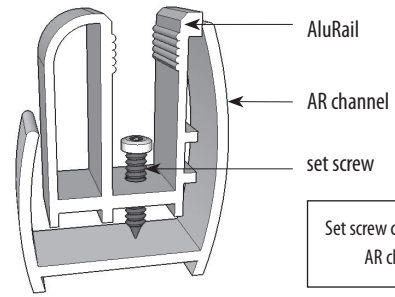
Watch installation videos on the ViewProtect website

AluRail fitment detail

1: Fixing of bar to reveal / 2: Fixing of bar into AluRail

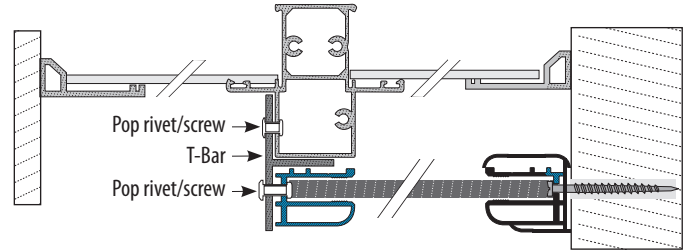


Set screw

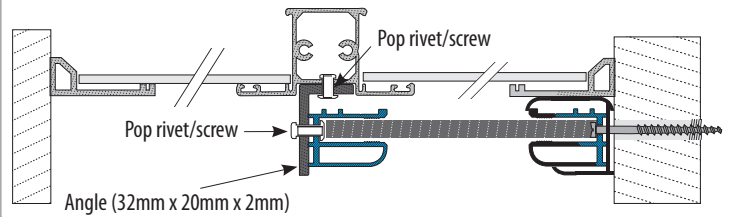


Set screw can be used to secure AR channel to wall.

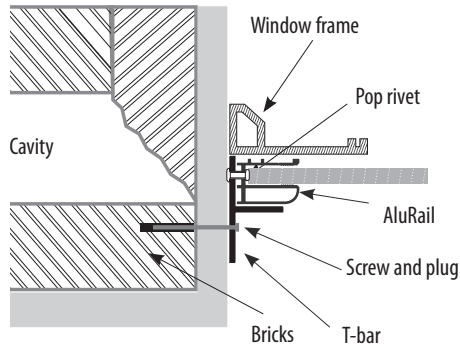
T-bar to connect to window frame



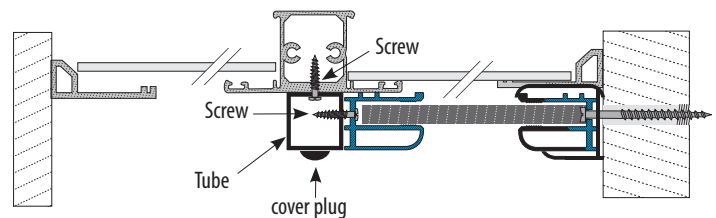
Angle to connect to window frame



T-bar to avoid cavity

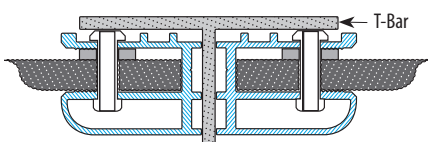


Square tube to connect to window frame

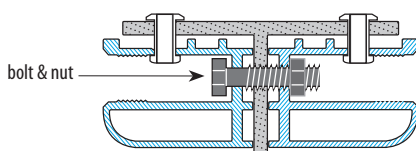


AluRail extension

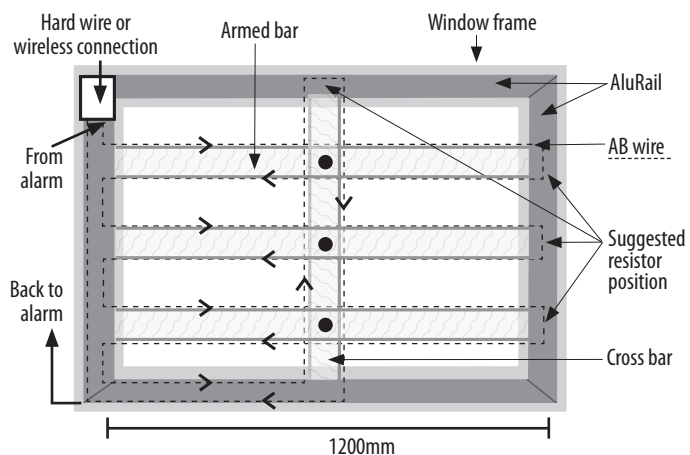
AluRail between securing points



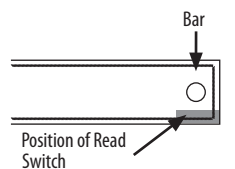
AluRail secured to T-Bar between bars with nut and bolt



Cross bar AB connection showing wiring loop



HOTLOCK



Health and safety

Always read the safety operating procedures before using any electrical power tool and apply the necessary steps.