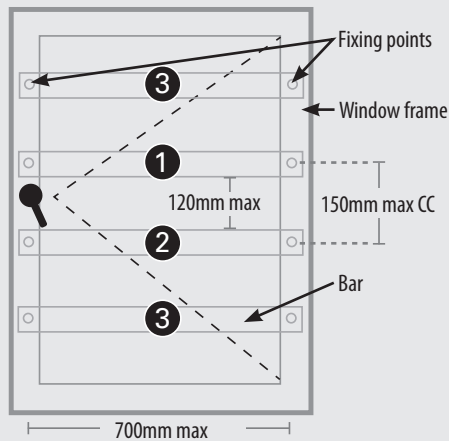


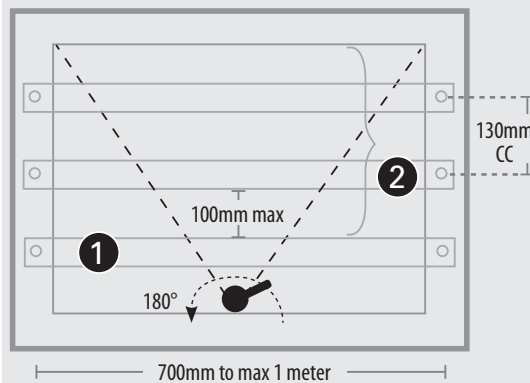
Fixing points **LESS** than 700mm apart



- 1 Position of first bar
- 2 Markout of second bar
- 3 Divide bars equally

**CC =
centre to
centre**

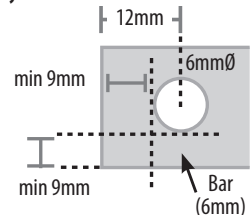
Fixing points **MORE** than 700mm apart



- 1 **Position of first bar**
If handle is longer than the bar spacing then consider the following:
 - Remove small lip at back of handle to move handle up to 180°
 - Install tubing to bring bar forward (away from handle)
 - Install bars vertically
- 2 **Divide bar equally**

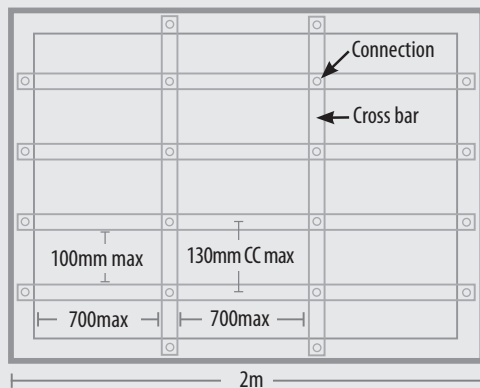
- Always begin marking of the strip fitment position from the window handle so as to allow for easy opening and closing.
- Distances over 1000mm must have cross bars.
- When installing polycarbonate cross bars the distance between these cross bars must not be more than 700mm.
- For child protection its remommeend not to have spacing between bars more than 100mm.
- Only remove the membrane partially during installation and **ONLY** remove fully after construction work has been completed.

Drill holes not closer than 9mm from any side of the 6mm thick bar.

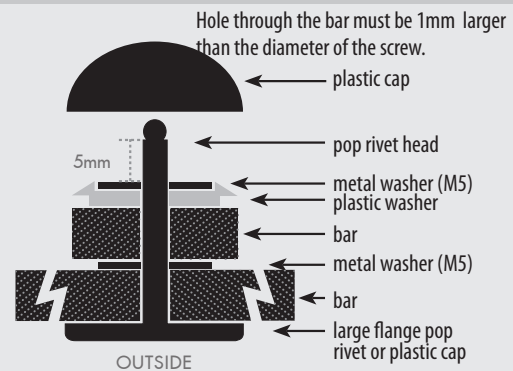


Hole through the bar must be 1mm larger than the diameter of the fixing product.

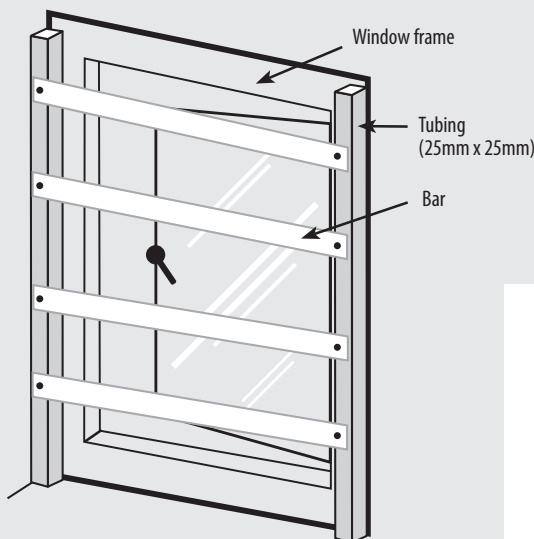
Cross bar installation



Cross bar connection

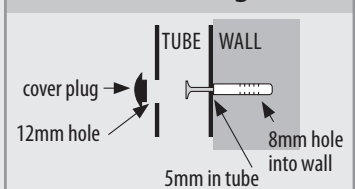


When should tubing be used



- Window frame edge has insufficient space (20mm) to fit bars
- Window will be prevented from opening (window handles)
- To cover fixed glass (cleaning of glass will be influenced)
- Window frame not strong enough (rotten or rusted window frames)

Tube fixing



SAFETY NOTICE

ViewProtect products may have sharp edges which may cause injury. Use at own risk.

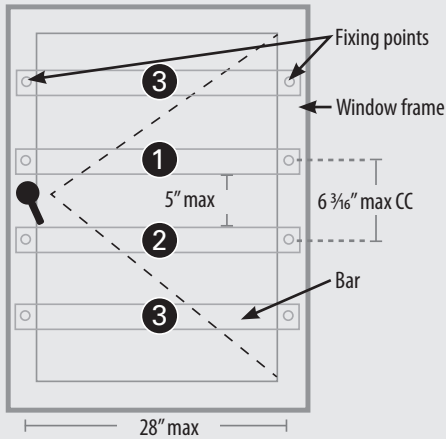
ViewProtect products are designed to obstruct entry, but it is not indestructible. The manufacturers and installer therefore will not accept liability for damage, injury or death caused by the use, installation, misuse or destruction of the product.

Any deviation from these instructions will result in the guarantee been null and void.
See full T&C on ViewProtect website: www.viewprotect.co.za

INSTRUCTION VIDEO



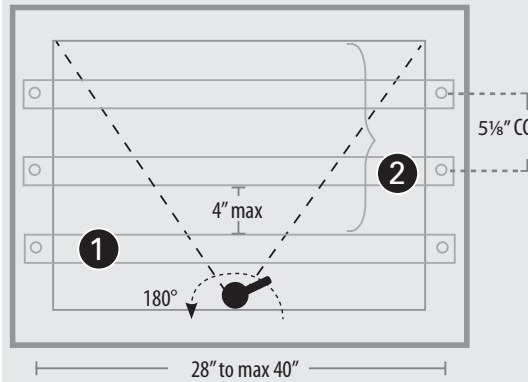
Fixing points LESS than 28" apart



- 1 Position of first bar
- 2 Markout of second bar
- 3 Divide bars equally

CC = centre to centre

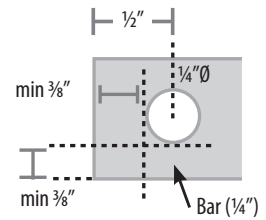
Fixing points MORE than 28" apart



- 1 **Position of first bar**
If handle is longer than the bar spacing then consider the following:
 - Remove small lip at back of handle to move handle up to 180°
 - Install tubing to bring bar forward (away from handle)
 - Install bars vertically
- 2 **Divide bar equally**

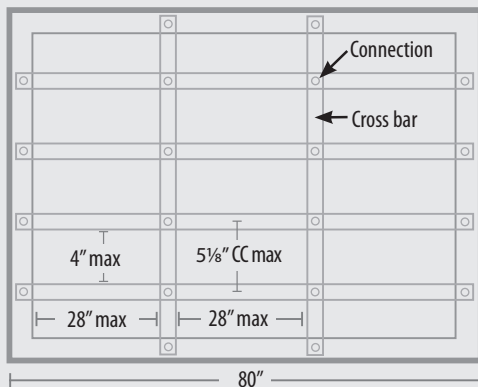
- Always begin marking of the strip fitment position from the window handle so as to allow for easy opening and closing.
- Distances over 40" must have cross bars.
- When installing polycarbonate cross bars the distance between these cross bars must not be more than 28".
- For child protection its remommende not to have spacing between bars more than 4".
- Only remove the membrane partially during installation and ONLY remove fully after construction work has been completed.

Drill holes not closer than 3/8" from any side of the 1/4" thick bar.

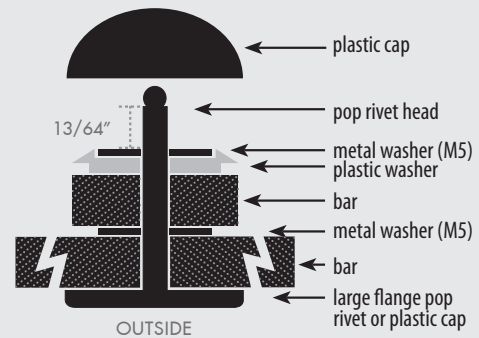


Hole through the bar must be 0.04" larger than the diameter of the fixing product.

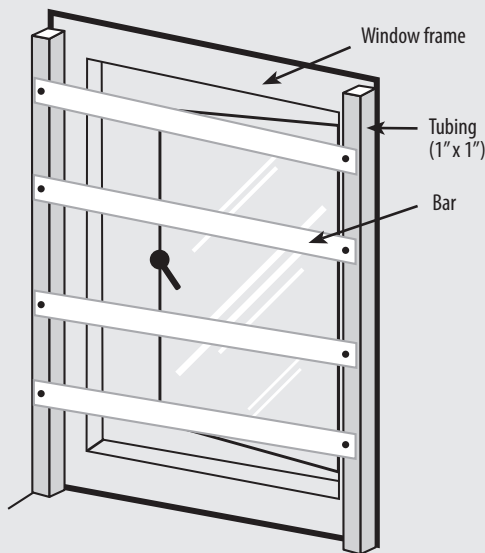
Cross bar installation



Cross bar connection

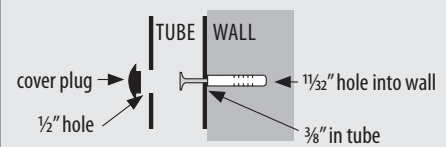


When should tubing be used



- Window frame edge has insufficient space ($1\frac{3}{16}$ ") to fit bars
- Window will be prevented from opening (window handles)
- To cover fixed glass (cleaning of glass will be influenced)
- Window frame not strong enough (rotten or rusted window frames)

Tube fixing



SAFETY NOTICE

ViewProtect products may have sharp edges which may cause injury. Use at own risk.

ViewProtect products are designed to obstruct entry, but it is not indestructible. The manufacturers and installer therefore will not accept liability for damage, injury or death caused by the use, installation, misuse or destruction of the product.

Any deviation from these instructions will result in the guarantee been null and void. See full T&C on ViewProtect website: www.viewprotect.co.za

INSTRUCTION VIDEO

